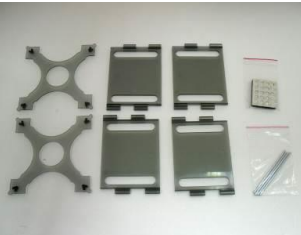
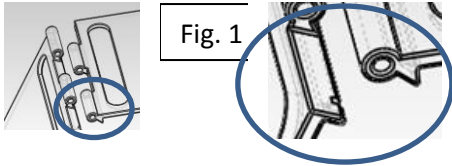
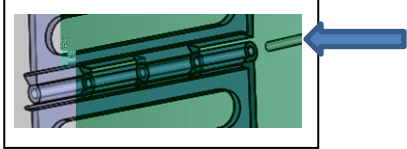
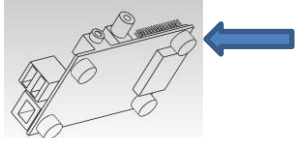
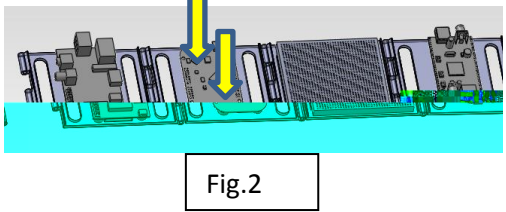
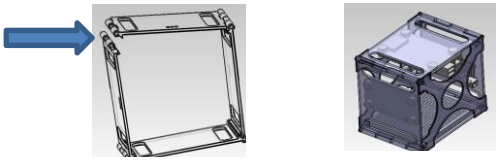


Board-ganizer Enclosure Kit Assembly Instructions (#BG-32618)

(Form#527, rev 5/13)

Thank you for purchasing **BUD's Board-ganizer** enclosure and work platform. This innovative enclosure lets you combine and mix boards with no need for additional hardware. The boards are attached using specially developed adhesive backed rubber feet. The fold and flatten feature makes it possible to work on a multi PCBs project with the boards side by side so they can be connected and wired. When the project is ready, it can be rolled up into a compact 5x5x3" enclosure – without the undoing any of the wiring.

<p>Kit Includes</p> <ul style="list-style-type: none"> • 4 Side Panels • 2 Tops • Adhesive backed rubber feet • 4 pins • This Instructions sheet 		<p>Accessories (Optional, sold separately)</p> <p>BB-32620 - Solder less Bread Board, 3.2X3.4x0.33", 600 Tie Points</p> <p>BB-32621 - Solder less Bread Board, 3.2X2.08x0.33", 300 Tie Points</p> <p>BC-32625 - Jump Wire Bundle (65 ea.) for Solder less Bread Board</p>
--	---	---

<p>1. Side panels assembly All 4 panels are identical. Take 2 panels and align the ends as shown in fig-1, make sure that the triangular corners are facing in the same direction.</p>	 <p>Fig. 1</p>
<p>2. Insert one of the hinge pins into round holes in the aligned panels.</p> <p>Repeat steps 1&2 two more times with other panels.</p>	
<p>3. With all 4 panels chained and laid flat, Select the first PCB you would like to attach, push out 4 round rubber feet, remove the protection paper from one side, Identify an area on the back side of the PCB where no components are attached and attach the rubber feet. Repeat 3 more times in different areas of the PCB.</p>	
<p>4. Attach PCB to the center of a panel (fig 2) it is recommended that you use the optional bread board (BB-32620) on the third panel you can experiment with your project using the optional connecting cables (BC-32625).</p> <p>NOTE: the adhesive is pressure activated, you should feel the rubber compressing down.</p>	 <p>Fig. 2</p>
<p>5. Once you are ready to fold the enclosure into a box, lift the end panels and bring them together to create a square. Insert the 4th pin.</p>	
<p>6. Attach front and back covers by clipping them into the inside corners of the square box.</p> <p>NOTE: when attaching or removing the covers you will need to slightly bend down the cover's corner for it to clear the corner in the box.</p>	